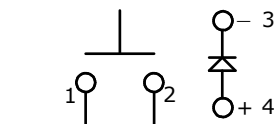
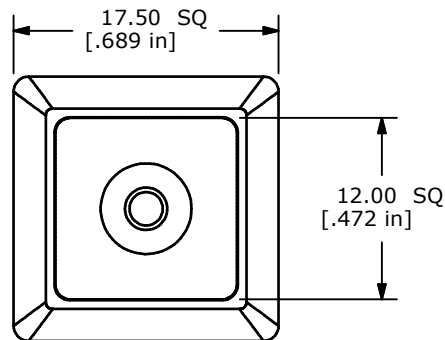
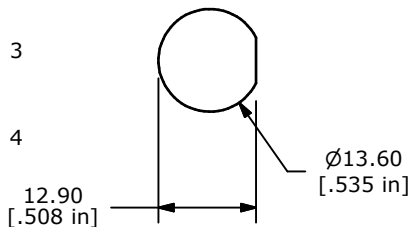


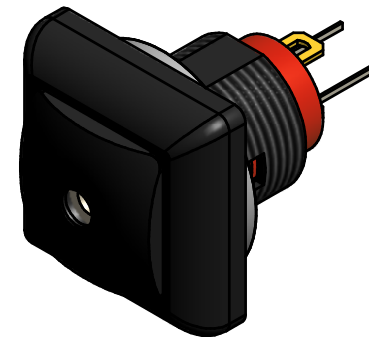
PANEL MOUNTING



▲ **CIRCUIT: SPST**
OFF-(ON)
MOMENTARY



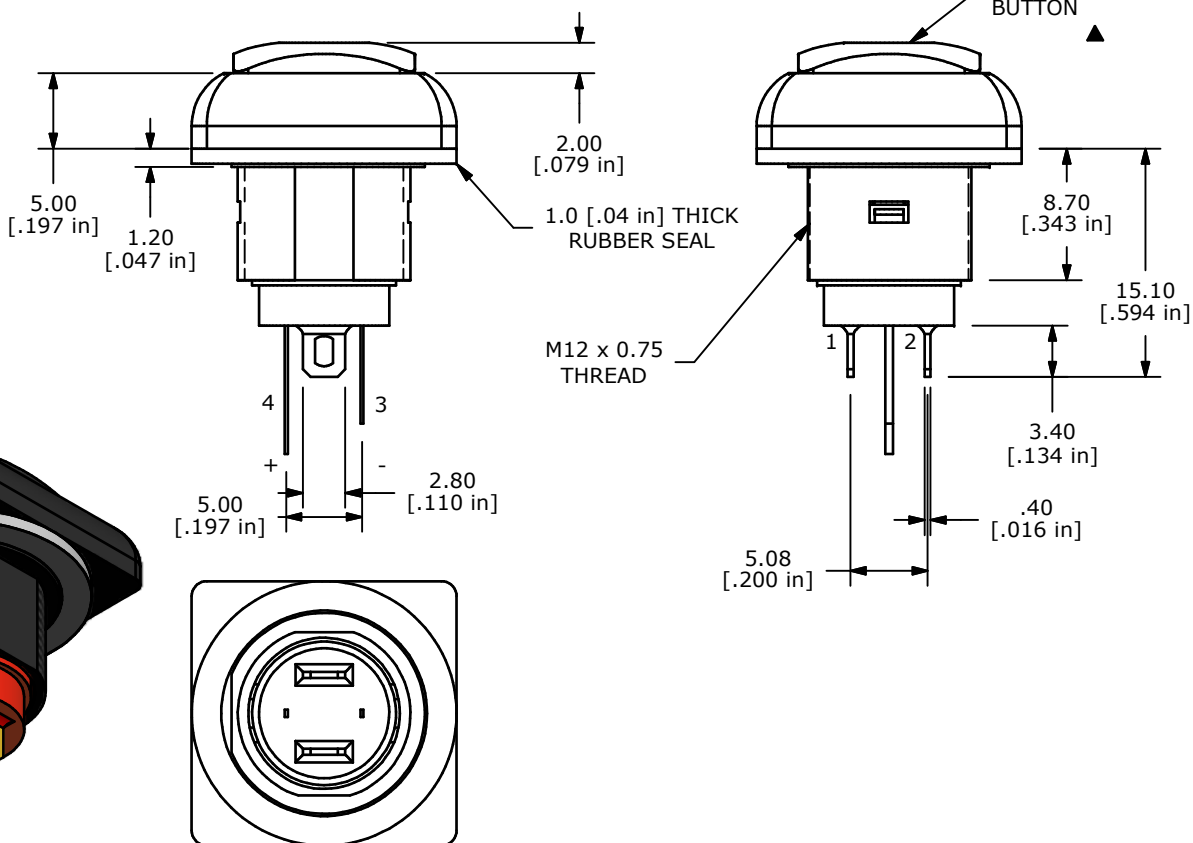
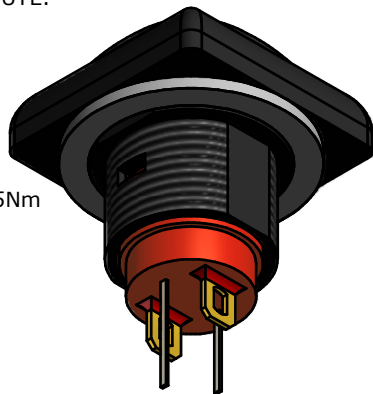
BLACK HOUSING ▲



LED SPECS	UNITS	RED ▲
FORWARD CURRENT	mA	20
FORWARD VOLTAGE @20mA	V	2.1-2.6
LUMINOUS INTENSITY @ 20mA	mcd	42-100

NOTE:

1. ALL DIMENSIONS IN MM [INCH]
2. GENERAL TOLERANCE: X.X=±0.4
X.XX=±0.25
3. TERMINAL NUMBERS FOR REF ONLY
4. CIRCUIT: SPST OFF-MOMENTARY ON
5. CONTACT MATERIAL: Gold OVER SILVER
6. RATING: 125mA @ 125 VAC
100mA @ 50 VDC
7. ELECTRIC LIFE: 500,000 CYCLES AT FULL LOAD
8. CONTACT RESISTANCE: 50 MILLIOHM MAX. (INITIAL)
9. INSULATION RESISTANCE: 1,000 MEGA-OHM MIN. @ 500VDC.
10. DIELECTRIC STRENGTH: 1,000 VAC FOR 1 MINUTE.
- ▲11. OPERATING FORCE: 350 gf +/- 150 gf
12. OPERATING TEMPERATURE: -30°C TO +85°C.
13. CONTACT BOUNCE: 10ms MAX.
14. TRAVEL: 1.5±0.25MM
15. PANEL THICKNESS RANGE: 1.5 - 4.0 mm.
16. ▲DENOTES CRITICAL PARAMETER.
17. 2002/95/EC (ROHS) COMPLIANT
18. MAX TORQUE APPLIED TO MOUNTING NUT: 0.5Nm
19. HARDWARE INCLUDED:
1) T081101 LOCK WASHER (QTY 1)
2) T081102 HEX NUT (QTY 1)
3) T081103 RUBBER O-RING (QTY 1)
20. SEAL RATING: IP67 TO THE FRONT PANEL ◻



REV	PCR NO	DESCRIPTION	DATE	BY
C	21601	CHANGE NOTE 20: IP67 WAS IP65	10/2/14	EBP
B	21533	CORRECT LED LOCATIONS	8/1/14	EBP
A	21287	NEW RELEASE	10/22/13	rc



TITLE RP8500B2M1CEBLKBLKRED				
SCALE	DATE	DR	DWG	REV
2:1	10/22/2013	rc	ST085002	C

THE INFORMATION CONTAINED IN THIS DOCUMENT IS PROPRIETARY TO E-SWITCH AND IS NOT TO BE COPIED OR TRANSFERRED